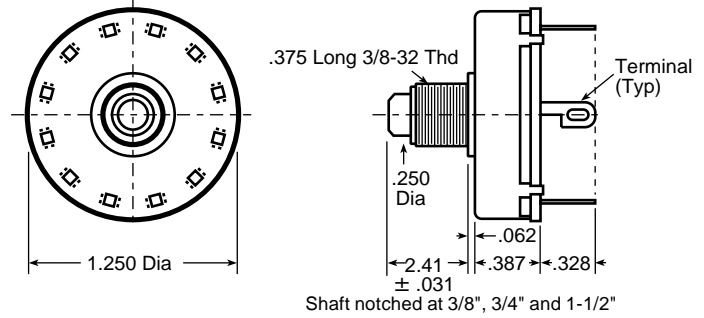


## General Purpose Rotary Switches

<b>Positions (Max.):</b>	12
<b>Maximum number of poles:</b>	4
<b>Indexing Angle:</b>	30°
<b>Contact Resistance (initial):</b>	Less than .010 ohms
<b>Dielectric Strength:</b>	500 volts AC or 500 volts DC between terminals or terminals to ground
<b>Operating Life:</b>	10,000 cycles
<b>Insulation Resistance:</b>	1000 megohms minimum @ 25°C and 40% relative humidity
<b>Sections:</b>	One only
<b>Detent Type:</b>	Hill and valley
<b>Terminals:</b>	Silver plated high quality non-ferrous material
<b>Ground Rings:</b>	Silver plated brass
<b>Insulation:</b>	High grade phenolic



Number of Poles	Maximum Positions	Catalog Number	
		Shorting	Non-Shorting
1	5	—	3215J
1	12	31112J	32112J
2	2	—	3222J
2	3	3123J	3223J
2	6	3126J	3226J
3	4	3134J	3234J
4	2	—	3242J
4	3	3143J	3243J

Electrical Limits @ Voltage			
300 VDC	.2 Amp	300 VAC	.25 Amp
100 VDC	.4 Amp	100 VAC	.5 Amp
50 VDC	1 Amp	50 VAC	1 Amp
25 VDC	2 Amp	25 VAC	2 Amp
12 VDC	4 Amp	12 VAC	4 Amp
6 VDC	5 Amp	6 VAC	6 Amp