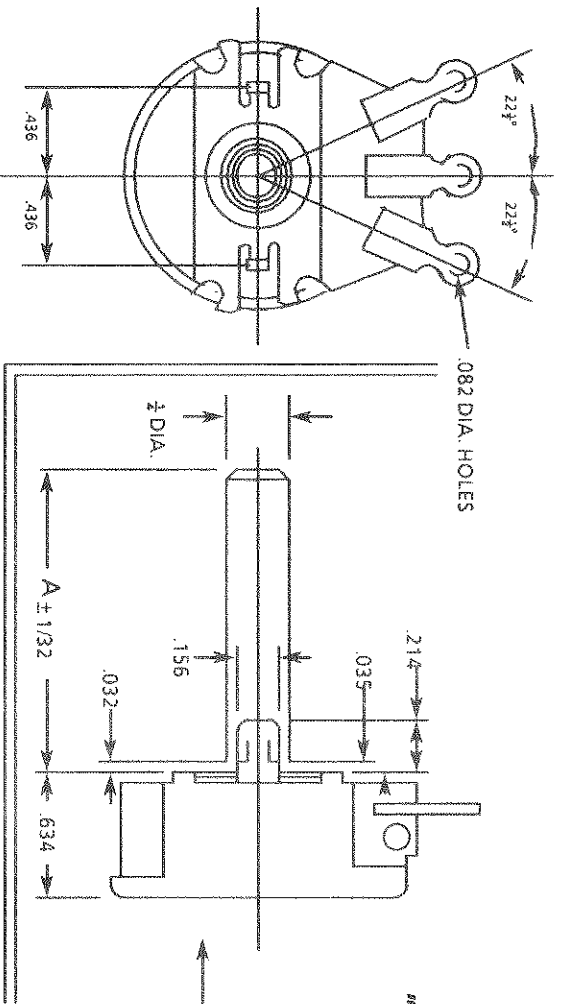


R SERIES WIREWOUND, 1 9/32 DIA. (33 mm)

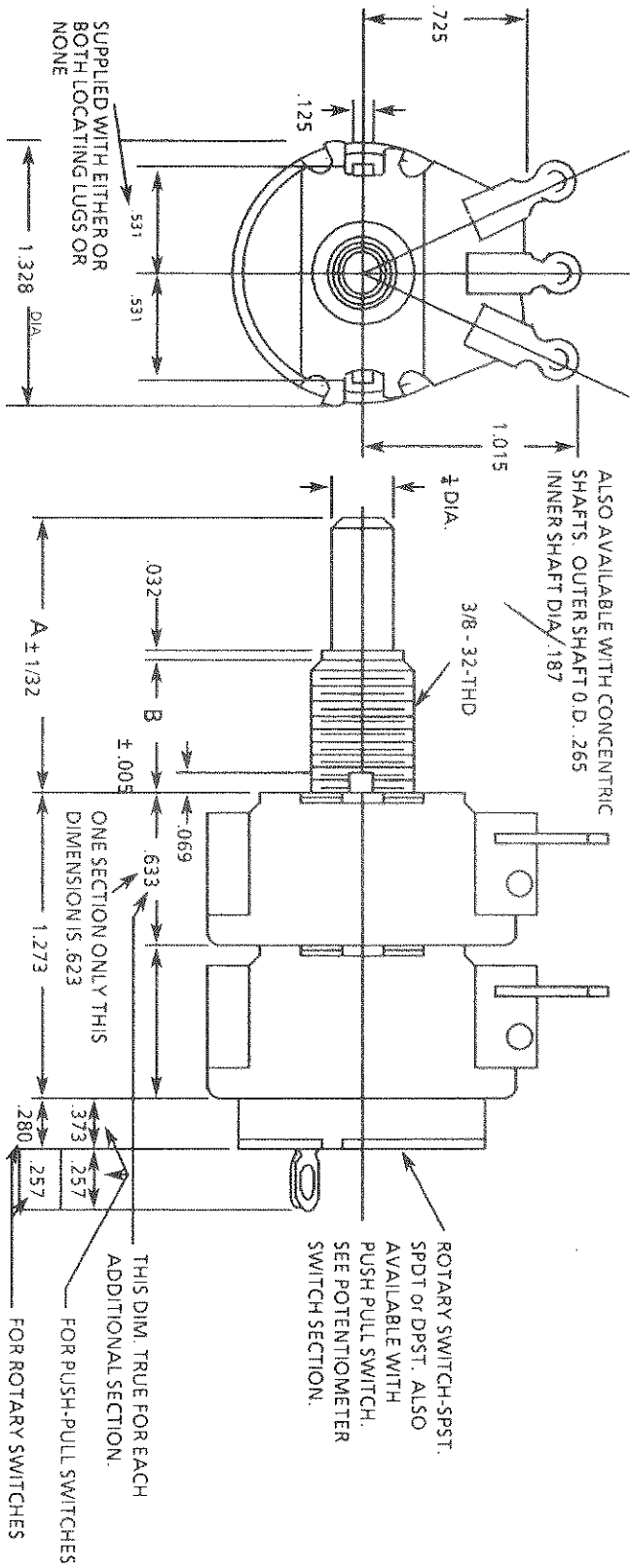
POWER RATING: *	3 watts @ 40°C Derate linearly to 0 at 105°C
RESISTANCE RANGE:	3 ohms to 25K ohms, linear 5 ohms to 10K ohms, nonlinear
RESISTANCE TOLERANCE:	Standard $\pm 10\%$, special $\pm 5\%$
DIELECTRIC STRENGTH:	Mounting plate to terminals, high pot test for 1 minute @ 900 VAC
INSULATION RESISTANCE:	1000 megohms minimum (50% relative humidity at 25°C)
OPERATING TEMPERATURE:	-30°C to +105°C
OPERATING LIFE:	10,000 cycles, standard
RESISTANCE TAPERS:	Linear, audio; other tapers available.
RESISTANCE TAPS:	None available
POWER SWITCHES:	See Potentiometer Switch Section.
MECHANICAL ROTATION:	297° $\pm 5^\circ$
BUSHING INFORMATION: (IF SUPPLIED)	Thread 3/8 - 32 NEF-2A standard; lengths as required.
LOCATING LUG:	None supplied unless specified. Available with right, left, or both.
SHAFT INFORMATION:	See Shaft Section.
MOUNTING HARDWARE:	Unless specified, control will be supplied less hardware.
CONTACT ARM:	Insulated from case.
OPTIONAL FEATURES:	Limited rotation, high torque construction, shaft and panel seal construction, tandem or concentric shaft construction (dual controls), military finishes, locking bushing, twist tab mounting.

* Control mounted on steel panel 4" x 4" x .060.



"R" TYPE WIREWOUND CONTROLS

TWIST TAB MOUNTING: USE SAME PANEL
PIERCING AS SHOWN FOR LW TYPE WITH
TWIST TAB EARS.



Dimensions A & B variable as required.