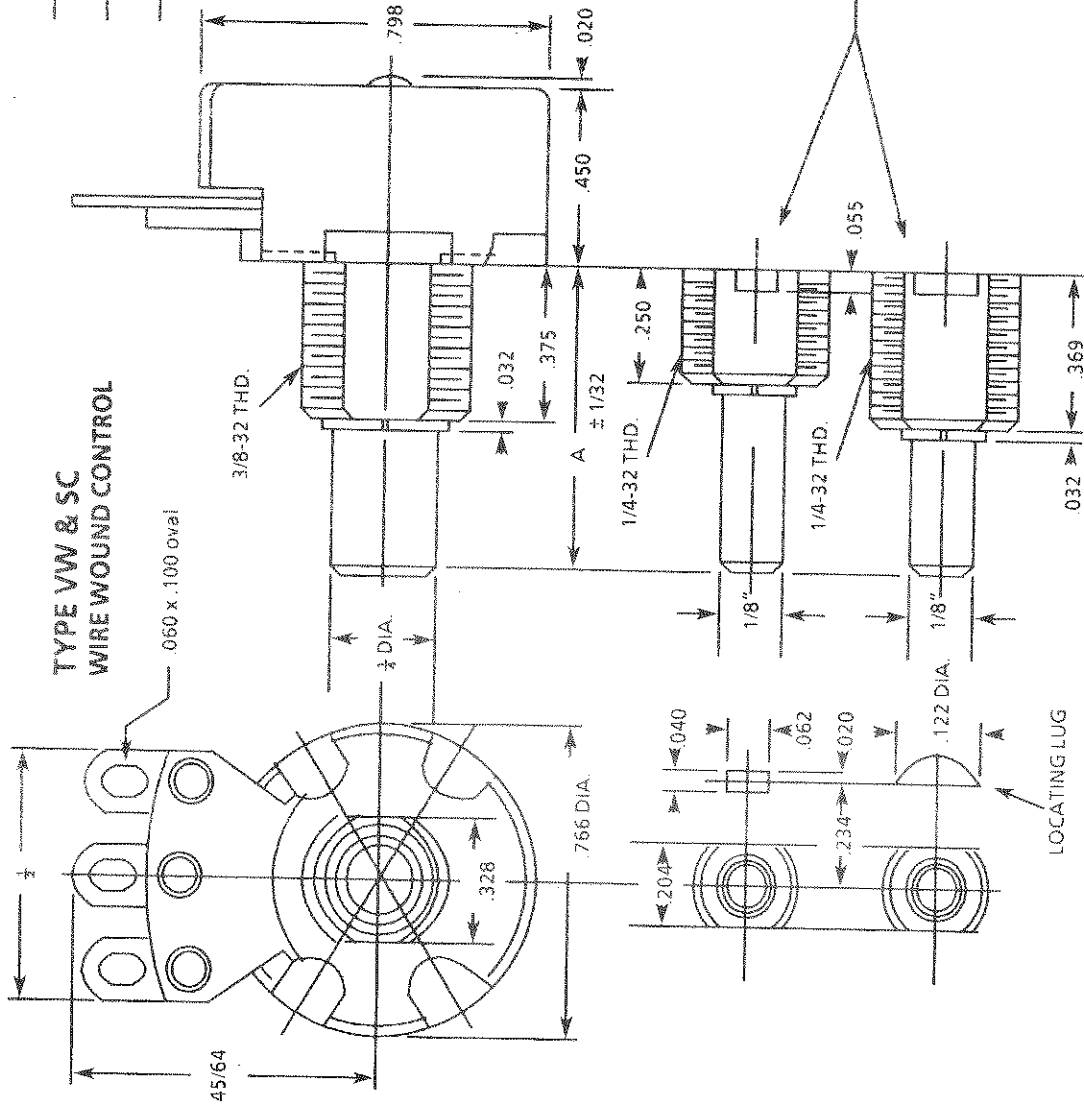


"VW" AND "SC" SERIES WIREWOUND, 3/4 DIA. (19.5 mm)

POWER RATING: *	5 watts @ 35°C
RESISTANCE RANGE:	1 ohm to 25 K ohms linear 5 ohms to 10 K ohms, nonlinear
RESISTANCE TOLERANCE:	Standard, $\pm 10\%$; Special $\pm 5\%$
DIELECTRIC STRENGTH:	Mounting plate to terminals, high pot test for 1 minute @ 900 VAC
INSULATION RESISTANCE:	1000 megohms minimum @ 50% relative humidity and 25°C
OPERATING TEMPERATURE:	-30°C to +105°C
OPERATING LIFE:	10,000 cycles, standard.
RESISTANCE TAPERS:	Linear and audio, other tapers available.
TAPS:	None available
POWER SWITCHES:	None available
MECHANICAL ROTATION:	305° $\pm 5^\circ$
BUSHING INFORMATION:	VW: - 3/8 - 32 thread, 3/8 FMS SC: - 1/4 - 32 thread, 3/8 and 1/4 FMS
LOCATING LUG:	Single lug available on SC type Locating lug supplied on VW type
SHAFT INFORMATION:	See Shafts Section.
MOUNTING HARDWARE:	Unless specified, control will be supplied less hardware.
TERMINAL AVAILABLE:	Solder lug only.
CONTACT ARM:	Insulated from case.
OPTIONAL FEATURES:	Locking type bushing, military finishes. VWG and SCG available with power rating 10 watts @ 35°C.

* Control mounted on steel panel 4" x 4" x .060.

TYPE	SHAFT DIA.	BUSHING DIA.
VW	1/4"	3/8"
SC	1/8"	1/4"



VW & SC: 5 Watts
 VWG & SCG: 10 Watts

TYPE SC CONTROL ONLY
 SAME AS VW CONTROL EXCEPT FOR
 OPTIONAL BUSHING & LOCATING
 LUG DESIGNS

Dimension A variable as required.

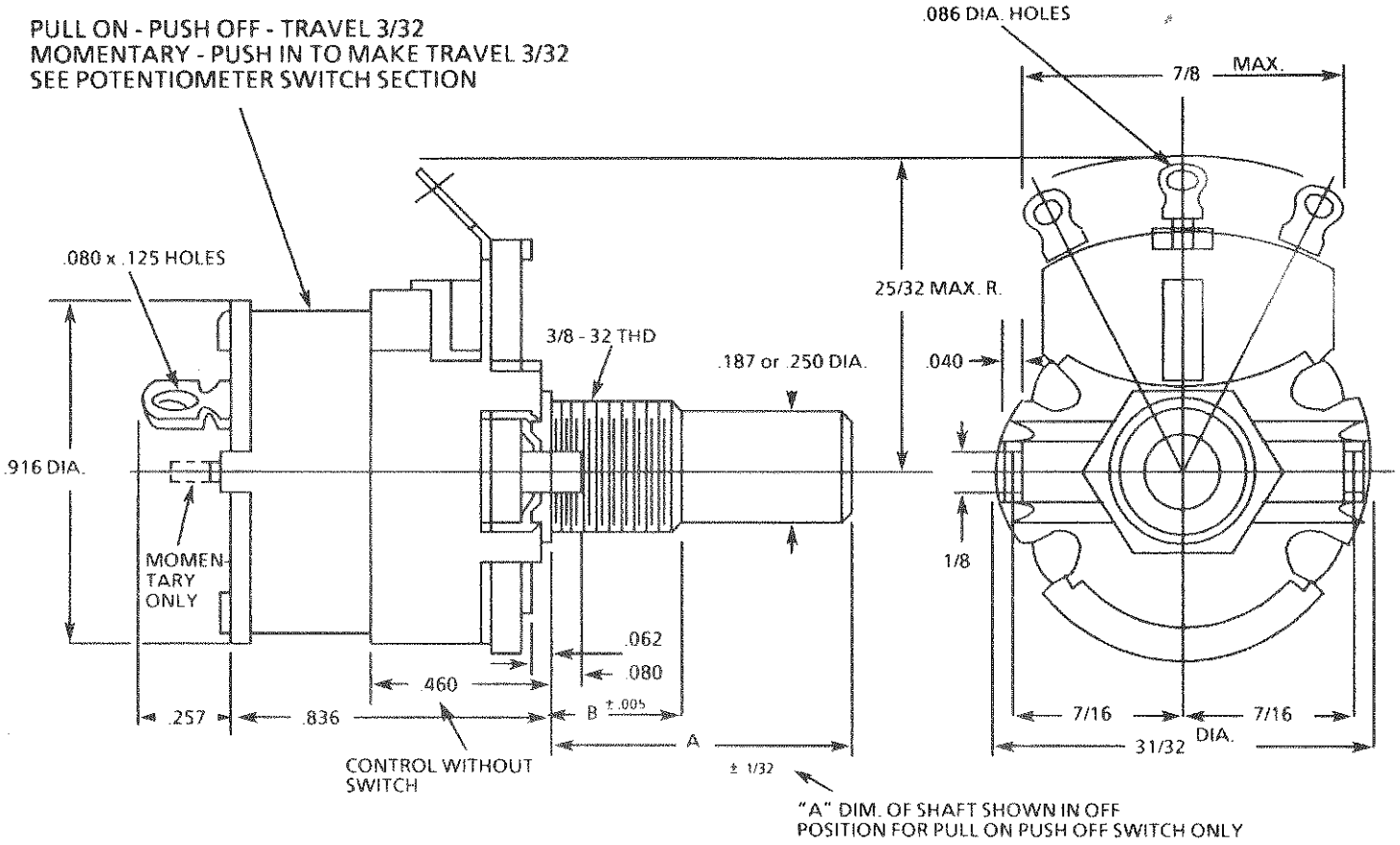
LW SERIES WIREWOUND, 15/16 DIA. (23.8 mm)

POWER RATING:	*	5 watts @ 25°C 4 watts @ 55°C
RESISTANCE RANGE:		1 ohm thru 25 K ohms
RESISTANCE TOLERANCE:		Standard $\pm 10\%$, special $\pm 5\%$
DIELECTRIC STRENGTH:		High pot test, terminals to case for 1 minute, 900 VAC
VOLTAGE RATINGS:		Operating maximum, 500 VDC; Across end terminals 350 VDC maximum, but not to exceed rated wattage.
INSULATION RESISTANCE:		1000 megohms minimum (50% relative humidity at 25°C)
OPERATING TEMPERATURE:		-30°C to +105°C
OPERATING LIFE:		Standard, 10,000 cycles
RESISTANCE TAPERS:		Available in linear only.
POWER SWITCHES:		See Potentiometer Switch Section.
MECHANICAL ROTATION:		300° $\pm 5^\circ$
BUSHING INFORMATION: (IF SUPPLIED)		3/8 - 32 NEF-2A, thread
LOCATING LUG: (BUSHING MOUNTED STYLE)		None supplied unless specified, Available with right, left, or both.
SHAFT INFORMATION:		See Shafts Section.
MOUNTING HARDWARE:		Unless specified, control will be supplied less hardware.
TERMINALS AVAILABLE:		Solder lug, printed circuit, quick disconnect.
CONTACT ARM:		Insulated from case.
OPTIONAL FEATURES :		Twist tab mounting, military finishes, locking bushing.

* Control mounted on steel panel 4" x 4" x .060.

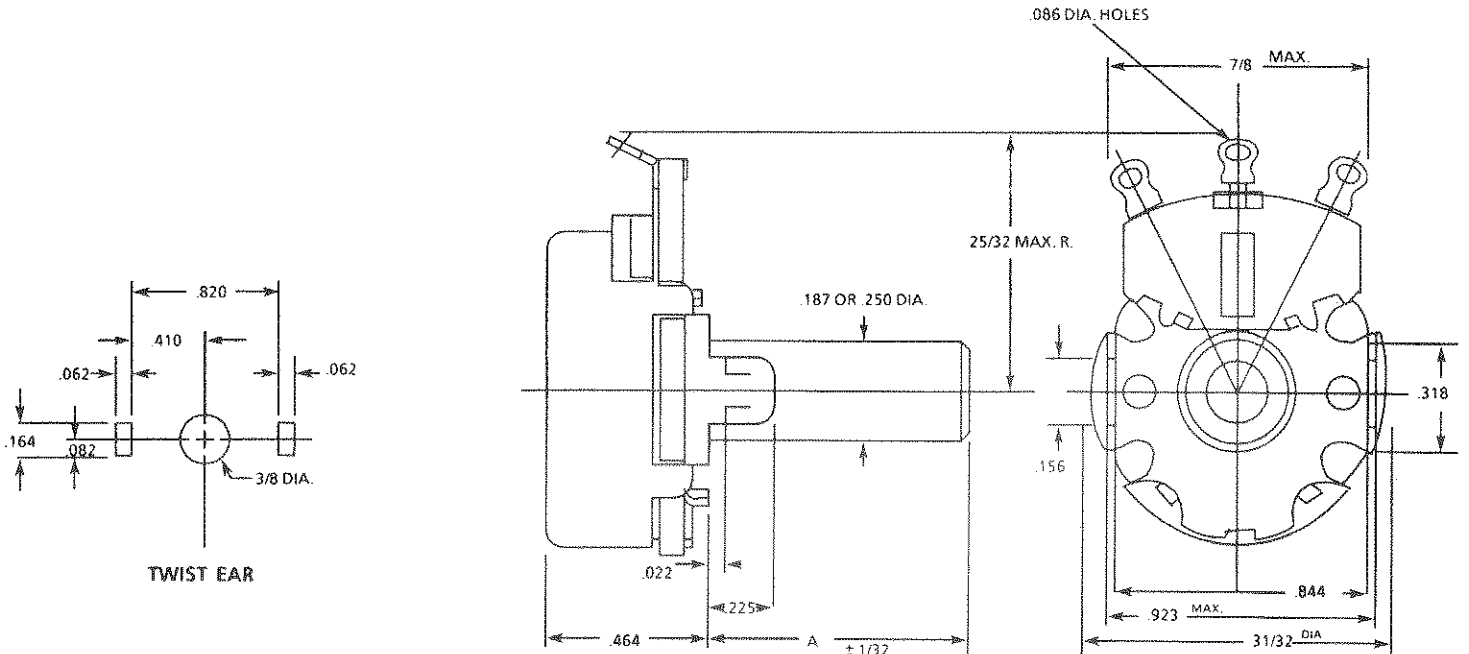
**LW 15/16 DIA. WIREWOUND CONTROL,
BUSHING MOUNTED**

PULL ON - PUSH OFF - TRAVEL 3/32
MOMENTARY - PUSH IN TO MAKE TRAVEL 3/32
SEE POTENTIOMETER SWITCH SECTION



Dimensions A & B are variable as required.

LW 15/16 DIA. TWIST TAB MOUNT, WIREWOUND CONTROL



Dimension A variable as required