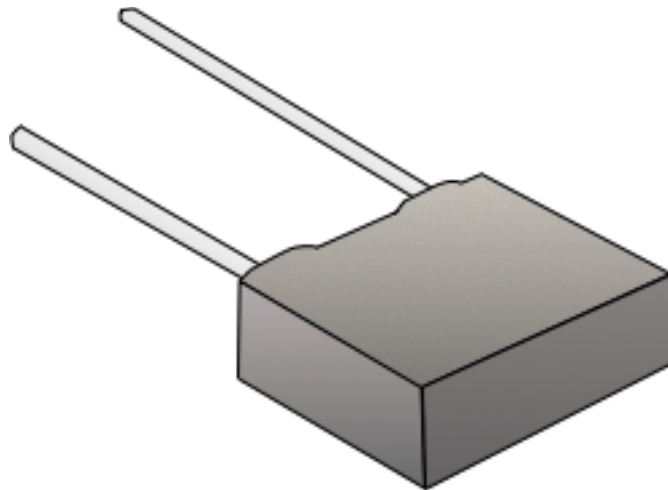


Metalized Polyester Radial Leaded Film Capacitors

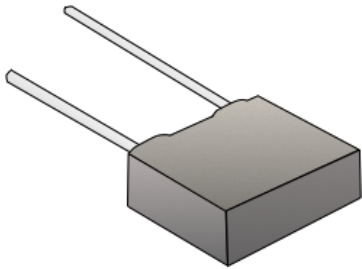
.....



DuraCap International, Inc
P.O. Box 1579 Woodstock, Ontario
N4S 0A7 Canada

Phone: (519) 539-4891
Fax: (519) 539-6684
<http://www.duracap.com/>

MPER – Metallized Polyester / Radial Leads



- Radial Leaded (10 mm to 27.5mm)
- Non Inductively Wound
- Lead Material Tinned Copper Clad Steel
- Flame Retardant Case Meets UL94V-0
- Epoxy Encapsulant Meets UL94V-0
- Non-Polar

Excellent choice for general purpose applications such as bypass, decoupling, smoothing, and some timing, energy storage/discharge and arc suppression.

General Specifications

Operating Temperature:
-55°C to +125°C with voltage derating above 85°C

Voltage Range:
63 VDC to 1000 VDC

Capacitance Range:
0.0022µF to 10µF

Capacitance Tolerance:
J=±5%, K=±10%, M=±20%

CECC Approval:
Detail Specification 30401-009

Total Self Inductance

Pitch (mm)	10	15	22.5	27.5
L (nH)	9	10	18	18

Dielectric Withstand Voltage:
1.6 x Rated Voltage for 2 sec at +25°C ±5°C

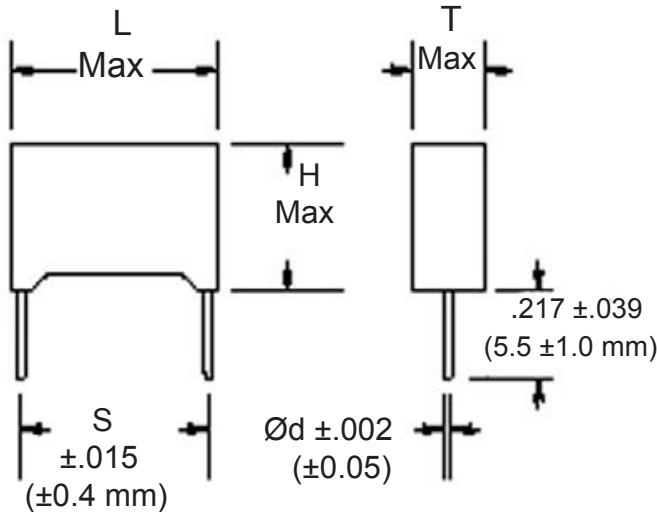
Dissipation Factor (DF):
 $tg\delta \times 10^{-4}$ at +25°C ±5°C

Maximum Pulse Rise Time (dv/dt)

Vn	Pitch (mm)			
	10	15	22.5	27.5
63	3	1.5	1	1
100/160	6/8	3	2	1
250	11	7	4	3
400	20	10	5.5	5
630	30	15	8	7
1000	60	25	15	10

If the working voltage (V) is less than the nominal voltage (Vn), the capacitor can work at higher dv/dt. In this case, the maximum value allowed is obtained by multiplying the above value (See table dv/dt) with the ratio Vn/V.

Capacitor Outline Drawing



Test Method and Performance

Insulation Performance	
Test Conditions	
Temperature	25 °C ± 5°C
Voltage Charge Time	1 minute
Voltage Charge	50 Vdc for Vn < 100 Vdc 100 Vdc for Vn ≥ 100 Vdc
Performance	
For Vn > 100 Vdc	≥30,000 MΩ for ≤ 0.33µF
For Vn ≤100 Vdc	≥10,000 MΩ x µF for C > 0.33µF ≥10,000 MΩ for C ≤ 0.1µF ≥1,000 MΩ x µF for ≤ 0.1µF
Damp Heat Test	
Test Conditions	
Temperature	+40°C
Relative Humidity	95%
Test Duration	21 days
Performance	
Capacitance Change ΔC/C	≤ ± 5%
DF Change Δtgδ	≤ 50 x 10 ⁻⁴ at 1 kHz
Insulation Resistance	≥ 50% of limit value
Life Test	
Test Conditions	
Temperature	+85°C
Test Duration	1000 hrs
Voltage Applied	1.25 x Vn
Performance	
Capacitance Change ΔC/C	≤ ±5%
DF Change Δtgδ	≤30 x 10 ⁻⁴ at 10 kHz for C ≤1.0 µF
Insulation Resistance	≤20 x 10 ⁻⁴ at 1 kHz for C >1.0 µF ≥ 50% of limit value
Soldering	
Test Conditions	
Soldering Temperature Soldering	260°C 5°C
Duration	10 sec ±1 sec
Performance	
Capacitance Change ΔC/C DF	≤ ±2%
Change Δtgδ	≤30 x 10 ⁻⁴ at 10 kHz for C ≤1.0 µF ≤20 x 10 ⁻⁴ at 1 kHz for C >1µF
Long Term Stability (after two years)	
Storage Performance	
Capacitance Change ΔC/C	≤ ± 2%
Corona (Partial Discharge Inception Voltage)	
	200 VAC for 100 VDC, 200 VDC 250 VAC for 400, 630 VDC 300 VAC for 1000

MPER Case Code Reference Chart

.....

First Letter	Second Letter	mm			
		Length	Thickness	Height	Lead Diameter
A	A	7.2	2.5	6.5	0.5
	B	7.2	3.5	7.5	0.5
	C	7.2	4.5	9.5	0.6
	D	7.2	5.0	10.0	0.6
	D	7.2	6.0	11.0	0.6
B	A	10.5	3.5	7.0	0.6
	B	10.5	4.0	9.0	0.6
	C	10.5	5.0	11.0	0.6
	D	10.5	6.0	12.0	0.6
C	A	13.0	4.0	9.5	0.8
	B	13.0	5.0	11.0	0.8
	C	13.0	6.0	12.0	0.8
D	A	18.0	5.0	11.0	0.8
	B	18.0	6.0	12.0	0.8
	C	18.0	6.0	12.5	0.8
	D	18.0	7.5	13.5	0.8
	E	18.0	7.5	14.0	0.8
	F	18.0	10.0	16.0	0.8
E	A	26.5	6.0	15.0	0.8
	B	26.5	7.0	16.5	0.8
	C	26.5	8.5	17.0	0.8
	D	26.5	10.0	19.0	0.8
	E	26.5	13.0	23.0	0.8
F	A	32.0	11.0	20.0	0.8
	B	32.0	13.0	22.5	0.8
	C	32.0	15.0	30.0	0.8
G	A	37.0	18.0	33.0	0.8

DuraCap International, Inc
 P.O. Box 1579 Woodstock, Ontario
 N4S 0A7 Canada

Phone: (519) 539-4891
Fax: (519) 539-6684
<http://www.duracap.com/>

Cap (μ F)	Size (mm)					Part Description
	D Diameter	L Length	T Thickness	S Spacing	ϕ d	
50 VDC; 30 VAC						
0.1000	7.2	2.5	6.5	5	0.5	MPER104*0050AAP1
0.1500	7.2	2.5	6.5	5	0.5	MPER154*0050AAP1
0.2200	7.2	3.5	7.5	5	0.5	MPER224*0050ABP1
0.3300	7.2	3.5	7.5	5	0.5	MPER334*0050ABP1
0.4700	7.2	3.5	7.5	5	0.5	MPER474*0050ABP1
0.6800	7.2	6.0	11.0	5	0.6	MPER684*0050AEP1
0.8200	7.2	6.0	11.0	5	0.6	MPER824*0050AEP1
1.0000	7.2	6.0	11.0	5	0.6	MPER105*0050AEP1

63 VDC; 40 VAC						
0.0470	7.2	2.5	6.5	5.0	0.5	MPER473*0063AAP1
0.0560	7.2	2.5	6.5	5.0	0.5	MPER563*0063AAP1
0.0680	7.2	2.5	6.5	5.0	0.5	MPER683*0063AAP1
0.0680	10.5	3.5	7.0	7.5	0.6	MPER683*0063BAP2
0.0820	7.2	2.5	6.5	5.0	0.5	MPER823*0063AAP1
0.1000	7.2	2.5	6.5	5.0	0.5	MPER104*0063AAP1
0.1000	10.5	3.5	7.0	7.5	0.6	MPER104*0063BAP2
0.1500	7.2	3.5	7.5	5.0	0.5	MPER154*0063ABP1
0.1500	10.5	3.5	7.0	7.5	0.6	MPER154*0063BAP2
0.1800	7.2	3.5	7.5	5.0	0.5	MPER184*0063ABP1
0.2200	7.2	3.5	7.5	5.0	0.5	MPER224*0063ABP1
0.2200	10.5	3.5	7.0	7.5	0.6	MPER224*0063BAP2
0.2200	13.0	5.0	11.0	10.0	0.8	MPER224*0063CBP3
0.2700	7.2	2.5	6.5	5.0	0.5	MPER274*0063AAP1
0.2700	10.5	3.5	7.0	7.5	0.6	MPER274*0063BAP2

* Indicate capacitance tolerance: J= \pm 5%, K= \pm 10%, M= \pm 20%

Cap (µF)	Size (mm)					Part Description
	D Diameter	L Length	T Thickness	S Spacing	ød	
0.2700	13.0	5.0	11.0	10.0	0.8	MPER274*0063CBP3
0.3300	7.2	3.5	7.5	5.0	0.5	MPER334*0063ABP1
0.3300	10.5	3.5	7.0	7.5	0.6	MPER334*0063BAP2
0.3300	13.0	6.0	12.0	10.0	0.8	MPER334*0063CCP3
0.3900	13.0	6.0	12.0	10.0	0.8	MPER394*0063CCP3
0.4700	7.2	3.5	7.5	5.0	0.5	MPER474*0063ABP1
0.4700	10.5	4.0	9.0	7.5	0.6	MPER474*0063BBP2
0.4700	13.0	6.0	12.0	10.0	0.8	MPER474*0063CCP3
0.5600	13.0	5.0	11.0	10.0	0.8	MPER564*0063CBP3
0.6800	7.2	4.5	9.5	5.0	0.6	MPER684*0063ACP1
0.6800	10.5	5.0	11.0	7.5	0.6	MPER684*0063BCP2
0.6800	13.0	5.0	11.0	10.0	0.8	MPER684*0063CBP3
0.6800	18.0	6.0	12.0	15.0	0.8	MPER684*0063DBP4
0.8200	13.0	6.0	12.0	10.0	0.8	MPER824*0063CCP3
0.8200	18.0	7.5	13.5	15.0	0.8	MPER824*0063DDP4
1.0000	7.2	6.0	11.0	5.0	0.6	MPER105*0063AEP1
1.0000	10.5	5.0	11.0	7.5	0.6	MPER105*0063BCP2
1.0000	18.0	7.5	13.5	15.0	0.8	MPER105*0063DDP4
1.5000	18.0	6.0	12.5	15.0	0.8	MPER155*0063DCP4
2.2000	18.0	7.5	14.0	15.0	0.8	MPER225*0063DEP4
3.3000	18.0	10.0	16.0	15.0	0.8	MPER335*0063DFP4
4.7000	26.5	8.5	17.0	22.5	0.8	MPER475*0063ECP6
6.8000	26.5	10.0	19.0	22.5	0.8	MPER685*0063EDP6
10.0000	26.5	13.0	23.0	22.5	0.8	MPER106*0063EEP6

100 VDC; 63 VAC

	7.2	2.5	6.5	5.0	0.5	MPER102*0 P0AAA
0.0015	7.2	2.5	6.5	5.0	0.5	MPER152*0100AAP1
0.0022	7.2	2.5	6.5	5.0	0.5	MPER222*0100AAP1
0.0027	7.2	2.5	6.5	5.0	0.5	MPER272*0100AAP1
0.0033	7.2	2.5	6.5	5.0	0.5	MPER332*0100AAP1
0.0039	7.2	2.5	6.5	5.0	0.5	MPER392*0100AAP1
0.0047	7.2	2.5	6.5	5.0	0.5	MPER472*0100AAP1
0.0056	7.2	2.5	6.5	5.0	0.5	MPER562*0100AAP1
0.0068	7.2	2.5	6.5	5.0	0.5	MPER682*0100AAP1
0.0082	7.2	2.5	6.5	5.0	0.5	MPER822*0100AAP1

Cap (μ F)	Size (mm)					Part Description
	D Diameter	L Length	T Thickness	S Spacing	ϕ d	
0.0100	7.2	2.5	6.5	5.0	0.5	MPER103*0100AAP1
0.0150	7.2	2.5	6.5	5.0	0.5	MPER153*0100AAP1
0.0180	7.2	2.5	6.5	5.0	0.5	MPER183*0100AAP1
0.0220	7.2	2.5	6.5	5.0	0.5	MPER223*0100AAP1
0.0270	7.2	2.5	6.5	5.0	0.5	MPER273*0100AAP1
0.0330	7.2	2.5	6.5	5.0	0.5	MPER333*0100AAP1
0.0330	10.5	3.5	7.0	7.5	0.6	MPER333*0100BAP2
0.0390	7.2	2.5	6.5	5.0	0.5	MPER393*0100AAP1
0.0470	7.2	2.5	6.5	5.0	0.5	MPER473*0100AAP1
0.0470	10.5	3.5	7.0	7.5	0.6	MPER473*0100BAP2
0.0680	7.2	2.5	6.5	5.0	0.5	MPER683*0100AAP1
0.0680	10.5	3.5	7.0	7.5	0.6	MPER683*0100BAP2
0.1000	7.2	2.5	6.5	5.0	0.5	MPER104*0100AAP1
0.1000	10.5	3.5	7.0	7.5	0.6	MPER104*0100BAP2
0.1200	10.5	4.0	9.0	7.5	0.6	MPER124*0100BBP2
0.1500	7.2	4.5	9.5	5.0	0.6	MPER154*0100ACP1
0.1500	10.5	4.0	9.0	7.5	0.6	MPER154*0100BBP2
0.2200	7.2	5.0	10.0	5.0	0.6	MPER224*0100ADP1
0.2200	10.5	5.0	11.0	7.5	0.6	MPER224*0100BCP2
0.3300	10.5	5.0	11.0	7.5	0.6	MPER334*0100BCP2

250 VDC; 160 VAC						
0.0033	7.2	2.5	6.5	5.0	0.5	MPER332*0250AAP1
0.0047	7.2	2.5	6.5	5.0	0.5	MPER472*0250AAP1
0.0068	7.2	2.5	6.5	5.0	0.5	MPER682*0250AAP1
0.0100	7.2	2.5	6.5	5.0	0.5	MPER103*0250AAP1
0.0100	10.5	3.5	7.0	7.5	0.6	MPER103*0250BAP2
0.0150	7.2	2.5	6.5	5.0	0.5	MPER153*0250AAP1
0.0150	10.5	3.5	7.0	7.5	0.6	MPER153*0250BAP2
0.0180	10.5	3.5	7.0	7.5	0.6	MPER183*0250BAP2
0.0220	7.2	3.5	7.5	5.0	0.5	MPER223*0250ABP1
0.0220	10.5	3.5	7.0	7.5	0.6	MPER223*0250BAP2
0.0270	10.5	4.0	9.0	7.5	0.6	MPER273*0250BBP2
0.0330	7.2	3.5	7.5	5.0	0.5	MPER333*0250ABP1
0.0330	10.5	4.0	9.0	7.5	0.6	MPER333*0250BBP2
0.0390	10.5	4.0	9.0	7.5	0.6	MPER393*0250BBP2

Cap (µF)	Size (mm)					Part Description
	D Diameter	L Length	T Thickness	S Spacing	ød	
0.0470	7.2	4.5	9.5	5.0	0.6	MPER473*0250ACP1
0.0470	10.5	4.0	9.0	7.5	0.6	MPER473*0250BBP2
0.0680	7.2	4.5	9.5	5.0	0.6	MPER683*0250ACP1
0.0680	10.5	5.0	11.0	7.5	0.6	MPER683*0250BCP2
0.1000	7.2	5.0	10.0	5.0	0.6	MPER104*0250ADP1
0.1000	10.5	5.0	11.0	7.5	0.6	MPER104*0250BCP2
1.0000	26.5	8.5	17.0	22.5	0.8	MPER105*0250ECP6
1.5000	26.5	10.0	19.0	22.5	0.8	MPER155*0250EDP6
2.2000	32.0	11.0	20.0	17.5	0.8	MPER225*0250FAP7
3.3000	32.0	13.0	22.5	17.5	0.8	MPER335*0250FBP7
4.7000	32.0	15.0	30.0	17.5	0.8	MPER475*0250FCP7
6.8000	37.0	18.0	33.0	17.5	0.8	MPER685*0250GAP7

400 VDC; 200 VAC						
0.0010	7.2	2.5	6.5	5.0	0.5	MPER102*0400AAP1
0.0015	7.2	2.5	6.5	5.0	0.5	MPER152*0400AAP1
0.0022	7.2	2.5	6.5	5.0	0.5	MPER222*0400AAP1
0.0033	7.2	2.5	6.5	5.0	0.5	MPER332*0400AAP1
0.0047	7.2	2.5	6.5	5.0	0.5	MPER472*0400AAP1
0.0047	10.5	3.5	7.0	7.5	0.6	MPER472*0400BAP2
0.0056	10.5	3.5	7.0	7.5	0.6	MPER562*0400BAP2
0.0068	7.2	3.5	7.5	5.0	0.5	MPER682*0400ABP1
0.0068	10.5	3.5	7.0	7.5	0.6	MPER682*0400BAP2
0.0100	7.2	3.5	7.5	5.0	0.5	MPER103*0400ABP1
0.0100	10.5	3.5	7.0	7.5	0.6	MPER103*0400BAP2
0.0120	13.0	4.0	9.5	10.0	0.8	MPER123*0400CAP3
0.0150	7.2	4.5	9.5	5.0	0.6	MPER153*0400ACP1
0.0150	10.5	4.0	9.0	7.5	0.6	MPER153*0400BBP2
0.0150	13.0	4.0	9.5	10.0	0.8	MPER153*0400CAP3
0.0180	13.0	4.0	9.5	10.0	0.8	MPER183*0400CAP3
0.0220	7.2	5.0	10.0	5.0	0.6	MPER223*0400ADP1
0.0220	10.5	5.0	11.0	7.5	0.6	MPER223*0400BCP2
0.0220	13.0	4.0	9.5	10.0	0.8	MPER223*0400CAP3
0.0270	13.0	4.0	9.5	10.0	0.8	MPER273*0400CAP3
0.0330	10.5	5.0	11.0	7.5	0.6	MPER333*0400BCP2
0.0330	13.0	5.0	11.0	10.0	0.8	MPER333*0400CBP3

Cap (μ F)	Size (mm)					Part Description
	D Diameter	L Length	T Thickness	S Spacing	ϕ d	
0.0390	13.0	5.0	11.0	10.0	0.8	MPER393*0400CBP3
0.0470	13.0	6.0	12.0	10.0	0.8	MPER473*0400CCP3
0.0470	18.0	5.0	11.0	15.0	0.8	MPER473*0400DAP4
0.0560	18.0	5.0	11.0	15.0	0.8	MPER563*0400DAP4
0.0680	18.0	5.0	11.0	15.0	0.8	MPER683*0400DAP4
0.0820	18.0	5.0	11.0	15.0	0.8	MPER823*0400DAP4
0.1000	18.0	6.0	12.0	15.0	0.8	MPER104*0400DBP4
0.1200	18.0	6.0	12.0	15.0	0.8	MPER124*0400DBP4
0.1500	18.0	7.5	13.5	15.0	0.8	MPER154*0400DDP4
0.1500	26.5	6.0	15.0	22.5	0.8	MPER154*0400EAP6
0.1800	26.5	6.0	15.0	22.5	0.8	MPER184*0400EAP6
0.2200	26.5	6.0	15.0	22.5	0.8	MPER224*0400EAP6
0.2700	26.5	7.0	16.5	22.5	0.8	MPER274*0400EBP6
0.3300	26.5	7.0	16.5	22.5	0.8	MPER334*0400EBP6
0.3900	26.5	8.5	17.0	22.5	0.8	MPER394*0400ECP6
0.4700	26.5	8.5	17.0	22.5	0.8	MPER474*0400ECP6
0.5600	26.5	10.0	19.0	22.5	0.8	MPER564*0400EDP6
0.6800	32.0	11.0	20.0	17.5	0.8	MPER684*0400FAP7
0.8200	32.0	11.0	20.0	17.5	0.8	MPER824*0400FAP7
1.0000	32.0	11.0	20.0	17.5	0.8	MPER105*0400FAP7
1.0000	32.0	13.0	22.5	17.5	0.8	MPER105*0400FBP7

630 VDC; 220 VAC						
0.0010	10.5	3.5	7.0	7.5	0.6	MPER102*0630BAP2
0.0015	10.5	3.5	7.0	7.5	0.6	MPER152*0630BAP2
0.0022	10.5	3.5	7.0	7.5	0.6	MPER222*0630BAP2
0.0033	10.5	3.5	7.0	7.5	0.6	MPER332*0630BAP2
0.0039	13.0	4.0	9.5	10.0	0.8	MPER392*0630CAP3
0.0047	10.5	4.0	9.0	7.5	0.6	MPER472*0630BBP2
0.0047	13.0	4.0	9.5	10.0	0.8	MPER472*0630CAP3
0.0056	13.0	4.0	9.5	10.0	0.8	MPER562*0630CAP3
0.0068	10.5	4.0	9.0	7.5	0.6	MPER682*0630BBP2
0.0068	13.0	4.0	9.5	10.0	0.8	MPER682*0630CAP3
0.0082	13.0	4.0	9.5	10.0	0.8	MPER822*0630CAP3
0.0100	10.5	5.0	11.0	7.5	0.6	MPER103*0630BCP2
0.0100	13.0	4.0	9.5	10.0	0.8	MPER103*0630CAP3

Cap (µF)	Size (mm)					Part Description
	D Diameter	L Length	T Thickness	S Spacing	ød	
0.0120	13.0	5.0	11.0	10.0	0.8	MPER123*0630CBP3
0.0150	10.5	6.0	12.0	7.5	0.6	MPER153*0630BDP2
0.0150	13.0	5.0	11.0	10.0	0.8	MPER153*0630CBP3
0.0180	13.0	5.0	11.0	10.0	0.8	MPER183*0630CBP3
0.0220	13.0	6.0	12.0	10.0	0.8	MPER223*0630CCP3
0.0270	18.0	5.0	11.0	15.0	0.8	MPER273*0630DAP4
0.0330	18.0	5.0	11.0	15.0	0.8	MPER333*0630DAP4
0.0390	18.0	6.0	12.0	15.0	0.8	MPER393*0630DBP4
0.0470	18.0	6.0	12.0	15.0	0.8	MPER473*0630DBP4
0.0560	18.0	6.0	12.0	15.0	0.8	MPER563*0630DBP4
0.0680	18.0	7.5	13.5	15.0	0.8	MPER683*0630DDP4
0.0680	26.5	6.0	15.0	22.5	0.8	MPER683*0630EAP6
0.0820	26.5	6.0	15.0	22.5	0.8	MPER823*0630EAP6
0.1000	26.5	6.0	15.0	22.5	0.8	MPER104*0630EAP6
0.1200	26.5	7.0	16.5	22.5	0.8	MPER124*0630EBP6
0.1500	26.5	7.0	16.5	22.5	0.8	MPER154*0630EBP6
0.1800	26.5	8.5	17.0	22.5	0.8	MPER184*0630ECP6
0.2200	26.5	8.5	17.0	22.5	0.8	MPER224*0630ECP6
0.2700	32.0	13.0	22.5	17.5	0.8	MPER274*0630FBP7
0.3300	32.0	11.0	20.0	17.5	0.8	MPER334*0630FAP7
0.3900	32.0	11.0	20.0	17.5	0.8	MPER394*0630FAP7
0.4700	32.0	13.0	22.5	17.5	0.8	MPER474*0630FBP7

1000 VDC; 250 VAC						
0.0022	13.0	4.0	9.5	10.0	0.8	MPER222*1000CAP3
0.0027	13.0	4.0	9.5	10.0	0.8	MPER272*1000CAP3
0.0033	13.0	4.0	9.5	10.0	0.8	MPER332*1000CAP3
0.0039	13.0	5.0	11.0	10.0	0.8	MPER392*1000CBP3
0.0047	13.0	5.0	11.0	10.0	0.8	MPER472*1000CBP3
0.0056	13.0	5.0	11.0	10.0	0.8	MPER562*1000CBP3
0.0068	13.0	5.0	11.0	10.0	0.8	MPER682*1000CBP3
0.0082	13.0	5.0	11.0	10.0	0.8	MPER822*1000CBP3
0.0100	18.0	5.0	11.0	15.0	0.8	MPER103*1000DAP4
0.0120	18.0	5.0	11.0	15.0	0.8	MPER123*1000DAP4
0.0150	18.0	6.0	12.0	15.0	0.8	MPER153*1000DBP4
0.0180	18.0	6.0	12.0	15.0	0.8	MPER183*1000DBP4

Cap (μF)	Size (mm)					Part Description
	D Diameter	L Length	T Thickness	S Spacing	ϕ d	
0.0220	18.0	6.0	12.0	15.0	0.8	MPER223*1000DBP4
0.0270	18.0	7.5	13.5	15.0	0.8	MPER273*1000DDP4
0.0330	26.5	6.0	15.0	22.5	0.8	MPER333*1000EAP6
0.0390	26.5	6.0	15.0	22.5	0.8	MPER393*1000EAP6
0.0470	26.5	6.0	15.0	22.5	0.8	MPER473*1000EAP6
0.0560	26.5	7.0	16.5	22.5	0.8	MPER563*1000EBP6
0.0680	26.5	7.0	16.5	22.5	0.8	MPER683*1000EBP6
0.0820	26.5	8.5	17.0	22.5	0.8	MPER823*1000ECP6
0.1000	26.5	8.5	17.0	22.5	0.8	MPER104*1000ECP6
0.1200	26.5	10.0	19.0	22.5	0.8	MPER124*1000EDP6
0.1500	32.0	11.0	20.0	17.5	0.8	MPER154*1000FAP7
0.1800	32.0	13.0	22.5	17.5	0.8	MPER184*1000FBP7
0.2200	32.0	13.0	22.5	17.5	0.8	MPER224*1000FBP7
0.0022	13.0	4.0	9.5	10.0	0.8	MPER222*1000CAP3
0.0027	13.0	4.0	9.5	10.0	0.8	MPER272*1000CAP3
0.0033	13.0	4.0	9.5	10.0	0.8	MPER332*1000CAP3
0.0039	13.0	5.0	11.0	10.0	0.8	MPER392*1000CBP3
0.0047	13.0	5.0	11.0	10.0	0.8	MPER472*1000CBP3
0.0056	13.0	5.0	11.0	10.0	0.8	MPER562*1000CBP3
0.0068	13.0	5.0	11.0	10.0	0.8	MPER682*1000CBP3
0.0082	13.0	5.0	11.0	10.0	0.8	MPER822*1000CBP3
0.0100	18.0	5.0	11.0	15.0	0.8	MPER103*1000DAP4
0.0120	18.0	5.0	11.0	15.0	0.8	MPER123*1000DAP4
0.0150	18.0	6.0	12.0	15.0	0.8	MPER153*1000DBP4
0.0180	18.0	6.0	12.0	15.0	0.8	MPER183*1000DBP4
0.0220	18.0	6.0	12.0	15.0	0.8	MPER223*1000DBP4
0.0270	18.0	7.5	13.5	15.0	0.8	MPER273*1000DDP4
0.0330	26.5	6.0	15.0	22.5	0.8	MPER333*1000EAP6
0.0390	26.5	6.0	15.0	22.5	0.8	MPER393*1000EAP6
0.0470	26.5	6.0	15.0	22.5	0.8	MPER473*1000EAP6
0.0560	26.5	7.0	16.5	22.5	0.8	MPER563*1000EBP6
0.0680	26.5	7.0	16.5	22.5	0.8	MPER683*1000EBP6
0.0820	26.5	8.5	17.0	22.5	0.8	MPER823*1000ECP6
0.1000	26.5	8.5	17.0	22.5	0.8	MPER104*1000ECP6
0.1200	26.5	10.0	19.0	22.5	0.8	MPER124*1000EDP6
0.1500	32.0	11.0	20.0	17.5	0.8	MPER154*1000FAP7

Cap (μF)	Size (mm)					ϕd	Part Description
	D Diameter	L Length	T Thickness	S Spacing			
0.1800	32.0	13.0	22.5	17.5	0.8	MPER184*1000FBP7	
0.2200	32.0	13.0	22.5	17.5	0.8	MPER224*1000FBP7	