

# EAF - Extreme Application Photoflash, Power Electrolytic Capacitors

.....



- High Energy Density Product
- Suitable for use in most demanding applications requiring high current discharge or flash energy storage
- Custom designs available upon request

## General Specifications

**Operating Temperature:**  
-40°C to +55°C

**Voltage Range:**  
250 WVDC to 500 WVDC

**Capacitance Range:**  
75  $\mu$ F to 30,000  $\mu$ F

**Capacitance Tolerance:**  
-10% +20%; -10% +50%;  
-10% +75%; -20% + 20%;

### QA Stability Test:

Apply WVDC for 2000 hours at 55°C

- Capacitance change  $\leq$  15% from initial limits
- DC leakage current meets initial limits
- ESR  $\leq$  175% of initial measured value

**DuraCap International, Inc**  
P.O. Box 1579 Woodstock, Ontario  
N4S 0A7 Canada

**Phone:** (519) 539-4891  
**Fax:** (519) 539-6684  
<http://www.duracap.com/>

## Part Number Information

DuraCap Catalog Number **CGS** **184** **U** **010** **X3L** **(3** **P** **H)** **[-S]**

**TYPE:** \_\_\_\_\_  
 Identifies the basic type  
 EAP, EAW, EAN, EAF, EASB, EAL

**CAPACITANCE:** \_\_\_\_\_  
 Expressed in microfarads  
 The first two digits are significant figures  
 The third digit is the number of zeros

**CAPACITANCE TOLERANCE:** \_\_\_\_\_  
**F** = -0 / +30%    **R** = -15 / +15%    **U** = -10 / +75%  
**G** = -0 / +50%    **S** = -10 / +30%    **X** = -10 / +20%  
**M** = -20 / +20%    **T** = -10 / +50%    **Z** = -10 / +10%

**DC VOLTAGE RATING:** \_\_\_\_\_  
 Zeros are used to precede the voltage rating where  
 necessary to complete the three digit block  
 The letter 'R' indicates a decimal point

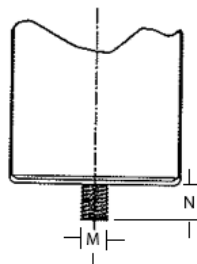
**CASE CODE:** \_\_\_\_\_  
 See chart on next page

**INSULATING SLEEVE:** \_\_\_\_\_  
 0 = No sleeve  
 1 = Mylar (Polyester)  
 3 = Single Layer PVC - .008" thickness  
 7 = Double Layer .008" PVC (.016" total thickness)  
 8 = Blue PVC - .012" thickness

**POLARITY:** \_\_\_\_\_  
**P** = Polar    **S** = Semi-Polar    **N** = Non-Polar

**TERMINAL:** \_\_\_\_\_  
**H** = High Post  
**L** = Low Post  
**V** = Printed Circuit Mount  
**D** = Low Post, Low Resistance Screw Mount (1/4 - 28 Thread)  
**F** = High Post Metric Thread  
**G** = Low Post Metric Thread  
**N** = High Post, Low Resistance Screw Mount (1/4 - 28 Thread)  
**S** = Stud Mount (see chart below)

CAN DIAMETER	M THREAD	N INCH	N MM
1.375	M8	.472	12
1.750	M8	.472	12
2.000	M12	.630	16
2.500	M12	.630	16
3.000	M12	.630	16
3.500	M12	.630	16

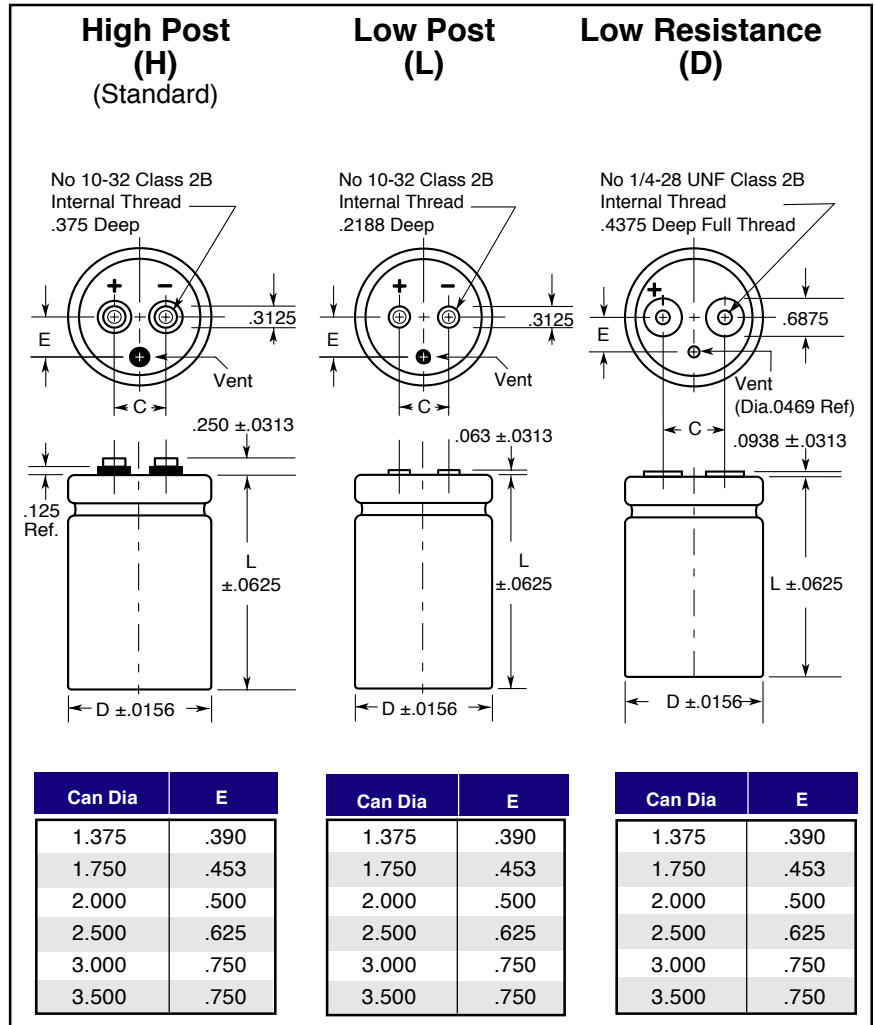


STUDED CAN  
 CROSS SECTION DETAIL

# Type EAF Dimensions and Size Charts

## Case Code Chart

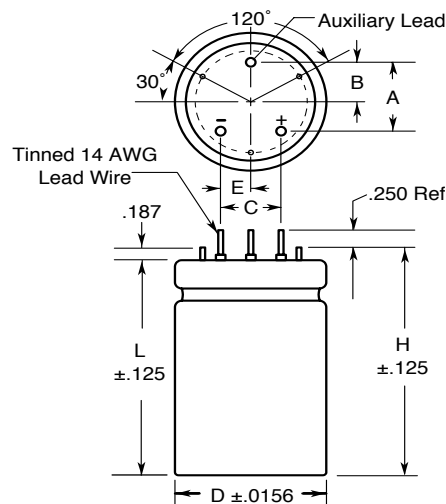
Case Code	Uninsulated Can						Mounting Bracket
	Inches		mm		Inches	mm	
	D	L	D	L	C	C	
R2C	1.375	2.125	35	54	.500	12.7	VR3
R2L	1.375	2.625	35	67	.500	12.7	VR3
R3C	1.375	3.125	35	79.4	.500	12.7	VR3
R3L	1.375	3.625	35	92	.500	12.7	VR3
R4C	1.375	4.125	35	105	.500	12.7	VR3
R4L	1.375	4.625	35	117.5	.500	12.7	VR3
R5C	1.375	5.125	35	130	.500	12.7	VR3
R5L	1.375	5.625	35	143	.500	12.7	VR3
U2C	1.750	2.125	44.5	54	.750	19	VR6
U2L	1.750	2.625	44.5	67	.750	19	VR6
U3C	1.750	3.125	44.5	79.4	.750	19	VR6
U3L	1.750	3.625	44.5	92	.750	19	VR6
U4C	1.750	4.125	44.5	105	.750	19	VR6
U4L	1.750	4.625	44.5	117.5	.750	19	VR6
U5C	1.750	5.125	44.5	130	.750	19	VR6
U5L	1.750	5.625	44.5	143	.750	19	VR6
V2C	2.000	2.125	50.8	54	.875	22.2	VR8
V2L	2.000	2.625	50.8	67	.875	22.2	VR8
V3C	2.000	3.125	50.8	79.4	.875	22.2	VR8
V3L	2.000	3.625	50.8	92	.875	22.2	VR8
V4C	2.000	4.125	50.8	105	.875	22.2	VR8
V4L	2.000	4.625	50.8	117.5	.875	22.2	VR8
V5C	2.000	5.125	50.8	130	.875	22.2	VR8
V5L	2.000	5.625	50.8	143	.875	22.2	VR8
W3C	2.500	3.125	63.5	79.4	1.125	28.6	VR10
W3L	2.500	3.625	63.5	92	1.125	28.6	VR10
W4C	2.500	4.125	63.5	105	1.125	28.6	VR10
W4L	2.500	4.625	63.5	117.5	1.125	28.6	VR10
W5C	2.500	5.125	63.5	130	1.125	28.6	VR10
W5L	2.500	5.625	63.5	143	1.125	28.6	VR10
X3L	3.000	3.625	76.2	92	1.250	31.7	VR12
X4C	3.000	4.125	76.2	105	1.250	31.7	VR12
X4L	3.000	4.625	76.2	117.5	1.250	31.7	VR12
X5C	3.000	5.125	76.2	130	1.250	31.7	VR12
X5L	3.000	5.625	76.2	143	1.250	31.7	VR12
X5R	3.000	5.875	76.2	149	1.250	31.7	VR12
X6L	3.000	6.625	76.2	168	1.250	31.7	VR12
X7L	3.000	7.625	76.2	194	1.250	31.7	VR12
X8L	3.000	8.625	76.2	219	1.250	31.7	VR12
Y3L	3.500	3.625	88.9	92	1.25	31.7	N/A
Y4C	3.500	4.125	88.9	105	1.25	31.7	N/A
Y4L	3.500	4.625	88.9	117.5	1.25	31.7	N/A
Y5C	3.500	5.125	88.9	130	1.25	31.7	N/A
Y5L	3.500	5.625	88.9	143	1.25	31.7	N/A
Y5R	3.500	5.875	88.9	149	1.25	31.7	N/A
Y6L	3.500	6.625	88.9	168	1.25	31.7	N/A
Y7L	3.500	7.625	88.9	194	1.25	31.7	N/A
Y8L	3.500	8.625	88.9	219	1.25	31.7	N/A



Add .015 inches to diameter and .045 inches to length for PVC insulating sleeve.

## PC Mounting Board Dimensions

Case Code	Uninsulated Can						
	Inches						
	D	L	H	A	B	C	E
R1N	1.375	1.750	1.937	.550	.375	.500	.250
R2C	1.375	2.125	2.312	.550	.375	.500	.250
R2L	1.375	2.625	2.812	.550	.375	.500	.250
R3C	1.375	3.125	3.312	.550	.375	.500	.250
R3L	1.375	3.625	3.812	.550	.375	.500	.250
R4C	1.375	4.125	4.312	.550	.375	.500	.250
R4L	1.375	4.625	4.812	.550	.375	.500	.250
R5C	1.375	5.125	5.312	.550	.375	.500	.250
R5L	1.375	5.625	5.812	.550	.375	.500	.250
V2C	2.000	2.125	2.312	1.000	.575	.800	.400
V2L	2.000	2.625	2.812	1.000	.575	.800	.400
V3C	2.000	3.125	3.312	1.000	.575	.800	.400
V3L	2.000	3.625	3.812	1.000	.575	.800	.400
V4C	2.000	4.125	4.312	1.000	.575	.800	.400
V4L	2.000	4.625	4.812	1.000	.575	.800	.400
V5C	2.000	5.125	5.312	1.000	.575	.800	.400
V5L	2.000	5.625	5.812	1.000	.575	.800	.400



Capacitance (µF)	Diameter	Length	Part Description	Terminal
<b>75 WVDC</b>				
1900	1.750	3.125	EAF192X075U3C3PL	LP 10-32
<b>175 WVDC</b>				
30000	3.000	7.625	EAF303X175X7L3PN	HP 104-28
<b>250 WVDC</b>				
550	30mm	42mm	EAF551X250B1L3PB	2 wire lead
<b>270 WVDC</b>				
330	0.875	2.500	EAF331X270L2J3PB	2 wire lead
<b>275 WVDC</b>				
200	1.200	1.500	EAF201X275B1J3PB	2 wire lead
<b>280 WVDC</b>				
3300	2.500	2.625	EAF332X280W2L3PL	LP 10-32
<b>300 WVDC</b>				
250	1.000	2.000	EAF251X300N2O3PR	Radial snap
1300	2.000	3.625	EAF132X300V3L3PL	LP 10-32
1600	40mm	40mm	EAF162X300J1K3PR	Radial snap
1600	1.750	1.625	EAF162X300U1L3PR	Radial snap
2900	50mm	50mm	EAF292X300V2O3PT	Solder Eyelet
3300	50mm	100mm	EAF332X300V3S3PT	Solder Eyelet
5500	50mm	100mm	EAF552X300V3S3PK	Solderable Blade
5500	50mm	100mm	EAF552X300V3S3PT	Solder Eyelet
6000	50mm	100mm	EAF602X300V3S3PT	Solder Eyelet
10000	3.000	5.625	EAF103R300X5L3PH	HP 10-32
10000	3.000	5.875	EAF103R300X5R3PH	HP 10-32

Capacitance (µF)	Diameter	Length	Part Description	Terminal
<b>310 WVDC</b>				
4000	2.000	3.380	EAF402X310V3G3PH	HP 10-32
4000	2.000	3.625	EAF402X310V3L3PH	HP 10-32
<b>315 WVDC</b>				
1850	45mm	49mm	EAF182X315U1S3PR	Radial snap
1925	1.375	3.125	EAF192X315R3C3PR	Radial Snap
2000	1.375	3.125	EAF202X315R3C3PR	Radial Snap
4000	2.000	3.380	EAF402X315V3G3PF	HP 5mm
4000	2.000	3.380	EAF402X315V3G3PH	HP 10-32
<b>320 WVDC</b>				
3500	2.000	3.625	EAF352X320V3L3PH	HP 10-32
5000	2.500	5.625	EAF502X320W5L3PF	HP 5mm
18000	3.500	5.875	EAF183X320Y5R3PD	LP ¼-28
20000	3.500	5.875	EAF203X320Y5R3PD	LP ¼-28
<b>330 WVDC</b>				
47	0.875	1.375	EAF470X330L1G3PB	2 wire lead
120	0.875	1.375	EAF121X330L1G3PB	2 wire lead
1300	1.000	4.375	EAF132X330N4G3PB	2 wire lead
2500	2.000	4.125	EAF252X330V4C3PH	HP 10-32
13000	3.500	5.875	EAF133X330Y5R3PN	HP 104-28
<b>335 WVDC</b>				
180	0.875	1.563	EAF181X335L1K3PR	Radial snap
180	0.875	1.875	EAF181X335L1R3PB	2 wire lead
<b>340 WVDC</b>				
700	1.200	3.500	EAF701X340B3J3PR	Radial snap
1300	1.375	2.500	EAF132M340R2J3PB	2 wire lead
1300	1.375	2.500	EAF132X340R2J3PB	2 wire lead
1400	1.200	3.375	EAF142X340B3G3PR	Radial Snap
1400	1.200	3.500	EAF142X340B3J3PR	Radial Snap

Capacitance (µF)	Diameter	Length	Part Description	Terminal
------------------	----------	--------	------------------	----------

### 350 WVDC

200	1.000	2.000	EAF201X350N2O3PR	Radial snap
1000	1.375	3.125	EAF102X350R3C3PB	2 wire lead
1100	1.375	2.031	EAF112X350R2A3PT	Solder Eyelet
2500	40mm	90mm	EAF252X350J3J3PR	Radial snap
6000	3.000	5.625	EAF602X350X5L3PD	LP ¼-28
6800	3.000	5.625	EAF682X350X5L3PD	LP ¼-28
10000	3.000	5.875	EAF103X350X5R3PD	LP ¼-28

### 360 WVDC

150	0.750	2.375	EAF151X360A2G3PB	2 wire lead
700	1.200	3.500	EAF701X360B3J3PR	Radial snap
835	1.750	2.063	EAF8350X360U2B3PT	Solder Eyelet
900	1.200	2.500	EAF901X360B2J3PT	Solder Eyelet
1000	2.000	2.625	EAF102X360V2L3PG	LP 5mm
1200	40mm	55mm	EAF122X360J2C3PT	Solder Eyelet
1200	2.000	2.625	EAF122X360V2L3PG	LP 5mm
1400	1.200	3.500	EAF142X360B3J3PR	Radial snap
1400	30mm	90mm	EAF142X360B3J3PR	Radial snap
1500	1.375	2.750	EAF152X360R2N3PR	Radial Snap
1500	1.375	4.625	EAF152X360R4L3PC	3 wire lead
1600	1.750	2.688	EAF162X360U2M3PT	Solder Eyelet
1600	2.000	3.625	EAF162X360V3X3PL	LP 10-32
1600	2.000	4.125	EAF162X360V4C3PL	LP 10-32
1600	2.000	4.625	EAF162X360V4L3PL	LP 10-32
1700	1.750	3.125	EAF172X360U3C3PL	LP 10-32
1800	1.375	3.000	EAF182X360R3O3PB	2 wire lead
1900	1.750	2.875	EAF192X360U2R3PL	LP 10-32
1900	1.750	3.125	EAF192X360U3C3PL	LP 10-32
1900	2.000	1.750	EAF192X360U3C3PL	LP 10-32
1900	1.750	3.625	EAF192X360U3L3PL	LP 10-32
2000	1.375	4.625	EAF202X360R4L3PC	3 wire lead
2000	1.750	3.125	EAF202X360U3C3PH	HP 10-32
2000	1.750	3.125	EAF202X360U3C3PL	LP 10-32
2000	51 mm	63.5mm	EAF202X360V2J3PU	Solder Lug
2000	2.000	2.625	EAF202X360V2L3PU	Solder Lug

Capacitance (µF)	Diameter	Length	Part Description	Terminal
2000	2.000	2.750	EAF202X360V2N3PH	HP 10-32
2100	1.750	3.625	EAF212X360U3L3PL	LP 10-32
2200	50mm	82mm	EAF222R360D3E3PG	LP 5mm
2200	40mm	80mm	EAF222X360J3C3PT	Solder Eyelet
2200	1.750	3.125	EAF222X360U3C3PL	LP 10-32
2200	50mm	75mm	EAF222X360V2S3PT	Solder Eyelet
2200	2.000	3.125	EAF222X360V3C3PF	HP 5mm
2400	2.000	4.125	EAF242X360V4C3PH	HP 10-32
2400	2.000	4.125	EAF242X360V4C3PL	LP 10-32
2450	50mm	82mm	EAF2451R360V3C3PF	HP 5mm
2450	50mm	75mm	EAF2451R360V3O3PK	Solderable Blade
2450	50mm	75mm	EAF2451R360V3O3PT	Solder Eyelet
2450	50 mm	65 mm	EAF2451X360V2K3PK	Solderable Blade
2450	2.000	3.125	EAF2451X360V3C3PL	LP 10-32
2450	2.000	4.125	EAF2451X360V3E3PF	HP 5mm
2450	2.000	3.625	EAF2451X360V3L7PF	HP 5mm
2500	2.000	3.125	EAF252R360V3C3PT	Solder Eyelet
2500	40 mm	86 mm	EAF252X360J3G3PT	Solder Eyelet
2700	2.000	3.563	EAF272X360V3K3PG	LP 5mm
2700	2.000	4.125	EAF272X360V4C3PG	LP 5mm
2700	2.000	4.125	EAF272X360V4C3PH	HP 10-32
3100	2.000	3.125	EAF312X360V3C3PU	Solder Lug
3100	2.000	3.625	EAF312X360V3L3PF	HP 5mm
3100	2.000	3.380	EAF312X360V3X3PG	LP 5mm
3150	2.000	3.563	EAF3151X360V3K3PG	LP 5mm
3150	2.000	3.563	EAF3151X360V3K3PL	LP 10-32
3150	2.000	5.625	EAF3151X360V5L3PL	LP 10-32
3200	51mm	92mm	EAF322X360V3K3PG	LP 5mm
3200	2.000	4.125	EAF322X360V4C3PH	HP 10-32
3300	2.000	3.563	EAF332M360V3K3PG	LP 5mm
3300	40mm	114mm	EAF332X360J4H3PT	Solder Eyelet
3300	2.000	3.125	EAF332X360V3C3PK	Solderable Blade
3300	2.000	4.125	EAF332X360V4C3PH	HP 10-32
3300	2.000	4.125	EAF332X360V4C3PL	LP 10-32
3800	1.750	5.625	EAF382X360U5L3PL	LP 10-32
4100	2.000	5.125	EAF412X360V5C3PH	HP 10-32
4200	2.000	3.563	EAF422X360V3K3PG	LP 5mm

Capacitance (µF)	Diameter	Length	Part Description	Terminal
4200	2.000	4.625	EAF422X360V4L3PG	LP 5mm
4200	51mm	118mm	EAF422X360V4L3PG	LP 5mm
4200	2.000	4.625	EAF422X360V4L3PH	HP 10-32
7000	3.000	5.625	EAF702T360X5L3PN	HP 104-28
7000	3.000	4.125	EAF702X360X4C3PD	LP 104-28
7700	2.500	5.625	EAF772X360W5L3PH	HP 10-32

### 385 WVDC

2200	2.500	4.125	EAF222X385W4C3PH	HP 10-32
4000	2.500	4.125	EAF402X385W4C3PH	HP 10-32

### 390 WVDC

1900	1.75	3.000	EAF192X390U2S3PH	HP 10-32
1900	1.75	3.125	EAF192X390U3C3PH	HP 10-32
4000	2.000	4.125	EAF402X390V4C3PL	LP 10-32

### 400 WVDC

400	1.375	2.625	EAF401X400R2L3PL	LP 10-32
1000	1.375	4.625	EAF102X400R4L3PC	3 wire lead
1000	1.375	5.625	EAF102X400R5L3PH	HP 10-32
1600	1.750	4.563	EAF162X400U4K3PT	Solder Eyelet
2600	3.000	7.625	EAF262X400X7L3PH	HP 10-32
3200	2.000	4.625	EAF322X400V4L3PT	Solder Eyelet

### 430 WVDC

550	1.375	2.500	EAF551X430R2J3PC	3 wire lead
900	1.375	4.125	EAF901F430R4C3PC	3 wire lead
1100	1.375	4.125	EAF112X430R4C3PT	Solder Eyelet
1400	1.375	5.188	EAF142X430R5D3PC	3 wire lead
1500	1.375	5.188	EAF152X430R5D3PC	3 wire lead
1600	1.375	5.188	EAF162F430R5D3PC	3 wire lead
1600	1.375	5.188	EAF162X430R5D3PC	3 wire lead
2300	2.000	4.125	EAF232X430V4C3PH	HP 10-32



Capacitance (µF)	Diameter	Length	Part Description	Terminal
<b>450 WVDC</b>				
120	1.200	2.000	EAF121X450B2O3PB	2 wire lead
300	1.200	2.125	EAF301X450B2C3PB	2 wire lead
500	1.375	2.031	EAF501X450R2A3PR	Radial snap
900	2.000	5.625	EAF901X450V5L3PH	HP 10-32
1100	2.000	4.125	EAF112X450V4C3PH	HP 10-32
1100	2.000	5.125	EAF112X450V5C3PH	HP 10-32
1200	1.570	3.125	EAF122X450J3C3PR	Radial Snap
1200	1.570	3.125	EAF122X450J3C3PR5	5 Terminal
1200	1.570	3.380	EAF122X450J3G3PR	Radial Snap
1200	2.000	5.125	EAF122X450V5C3PH	HP 10-32
1250	2.000	5.625	EAF1251X450V5L3PH	HP 10-32
1500	40mm	110mm	EAF152X450J4F3PT	Solder Eyelet
1500	2.000	4.125	EAF152X450V4C3PH	HP 10-32
1700	2.000	3.563	EAF172X450V3K3PL	LP 10-32
1800	2.000	3.563	EAF182X450V3K3PG	LP 5mm
1800	2.000	5.625	EAF182X450V5L3PH	HP 10-32
2000	2.000	2.800	EAF202X450V2R3PT	Solder Eyelet
2000	2.000	3.563	EAF202X450V3K3PL	LP 10-32
2000	2.000	4.125	EAF202X450V4C3PG	LP 5mm
2000	3.000	5.625	EAF202X450X5L3PH	HP 10-32
2100	2.000	4.125	EAF212X450V4C3PH	HP 10-32
2100	2.000	5.625	EAF212X450V5L3PH	HP 10-32
2300	2.000	4.125	EAF232X450V4C3PH	HP 10-32
2600	3.000	5.625	EAF262X450X5L3PH	HP 10-32
2800	2.500	4.125	EAF282X450W4C3PD	LP 104-28
4000	3.000	4.625	EAF402X450X4L3PH	HP 10-32

<b>475 WVDC</b>				
450	1.750	2.500	EAF451X475U2J0PT	Solder Eyelet
450	1.750	2.688	EAF451X475U2M0PT	Solder Eyelet
1600	2.000	4.125	EAF162X475V4C3PH	HP 10-32
1800	1.375	5.750	EAF182X475R5X3PL	LP 10-32

Capacitance (µF)	Diameter	Length	Part Description	Terminal
<b>500 WVDC</b>				
120	1.375	2.031	EAF121X500R2A3PR	Radial snap
150	1.375	2.031	EAF151X500R2A3PR	Radial snap
150	1.375	2.031	EAF151X500R2A3PR	Radial snap
160	1.200	2.188	EAF161X500B2D3PB	2 wire lead
200	1.000	4.125	EAF201X500N4C3PB	2 wire lead
230	1.000	2.375	EAF231R500N2G3PB	2 wire lead
240	1.375	2.031	EAF241X500R2A3PR	Radial snap
250	1.375	2.031	EAF251X500R2A3PR	Radial snap
250	1.375	2.031	EAF251X500R2A3PR	Radial snap
300	1.375	2.500	EAF301X500R2J3PC	3 wire lead
350	1.750	2.125	EAF351X500U2C3PL	LP 10-32
350	2.000	2.125	EAF351X500V2C3PH	HP 10-32
390	1.375	2.031	EAF391X500R2A3PR	Radial snap
400	1.375	2.031	EAF401X500R2A3PR	Radial snap
400	1.375	2.031	EAF401X500R2A3PR	Radial snap
400	1.375	2.063	EAF401X500R2B3PT	Solder Eyelet
400	1.375	2.313	EAF401X500R2F3PR	Radial snap
400	1.375	2.313	EAF401X500R2F3PT	Solder Eyelet
400	1.375	2.625	EAF401X500R2L3PL	LP 10-32
400	1.375	3.125	EAF401X500R3C3PC	3 wire lead
400	1.750	2.125	EAF401X500U2C3PF	HP 5mm
420	1.375	2.313	EAF421X500R2F3PR	Radial snap
450	1.200	2.625	EAF451X500B2L3PT	Solder Eyelet
450	1.375	2.313	EAF451X500R2F3PR	Radial snap
450	1.375	2.313	EAF451X500R2F3PT	Solder Eyelet
450	1.375	2.500	EAF451X500R2J3PC	3 wire lead
450	1.375	2.500	EAF451X500R2J3PL	LP 10-32
450	1.375	2.500	EAF451X500R2J3PT	Solder Eyelet
450	1.750	2.063	EAF451X500U2B3PT	Solder Eyelet
455	1.375	2.313	EAF451X500R2F3PT	Solder Eyelet
470	1.375	2.625	EAF471X500R2L3PR	Radial snap
475	2.000	5.625	EAF4750X500V5L3PH	HP 10-32
480	1.375	3.125	EAF481F500R3C3PL	LP 10-32
480	1.375	3.125	EAF481X500R3C3PL	LP 10-32
480	1.375	3.625	EAF481X500R3L3PL	LP 10-32

Capacitance (µF)	Diameter	Length	Part Description	Terminal
500	1.375	2.313	EAF501X500R2F3PT	Solder Eyelet
500	1.375	3.125	EAF501X500R3C3PC	3 wire lead
500	1.375	3.125	EAF501X500R3C3PF	HP 5mm
500	1.375	3.125	EAF501X500R3C3PH	HP 10-32
500	1.375	3.125	EAF501Z500R3C3PC	3 wire lead
540	1.375	2.250	EAF541X500R2E3PB	2 wire lead
550	1.375	4.125	EAF551X500R4C3PC	3 wire lead
560	1.375	3.125	EAF561X500R3C3PC	3 wire lead
600	1.375	3.125	EAF601X500R3C3PF	HP 5mm
600	1.375	3.125	EAF601X500R3C3PG	LP 5mm
600	1.375	4.625	EAF601X500R4L3PH	HP 10-32
600	1.750	4.625	EAF601X500U4L3PT	Solder Eyelet
650	1.375	3.125	EAF651X500R3C3PG	LP 5mm
800	35mm	86mm	EAF801R500R3G3PT	Solder Eyelet
800	1.375	3.250	EAF801X500R3E3PB	2 wire lead
800	1.375	4.125	EAF801X500R4C3PL	LP 10-32
800	1.750	4.125	EAF801X500U4C3PH	HP 10-32
800	2.000	2.625	EAF801X500V2L3PH	HP 10-32
800	2.000	2.625	EAF801X500V2L3PL	LP 10-32
800	2.000	4.125	EAF801X500V4C3PG	LP 5mm
800	2.000	4.125	EAF801X500V4C3PH	HP 10-32
870	2.000	2.500	EAF871X500V2J3PT	Solder Eyelet
880	1.750	5.625	EAF881X500U5L3PH	HP 10-32
900	1.375	4.625	EAF901X500R4L3PL	LP 10-32
900	1.750	3.625	EAF901X500U3L3PH	HP 10-32
950	1.750	3.125	EAF951X500U3C3PH	HP 10-32
950	1.750	3.125	EAF951X500U3C3PH	HP 10-32
950	1.750	3.125	EAF951X500U3C3PH	HP 10-32
950	1.750	3.125	EAF951X500U3C3PH	HP 10-32
950	1.750	3.125	EAF951X500U3C3PH	HP 10-32
950	1.750	3.625	EAF951X500U3L3PH	HP 10-32
950	2.000	5.625	EAF951X500V5L3PH	HP 10-32
1000	1.375	3.350	EAF102X500R3G3PB	2 wire lead
1000	1.375	5.625	EAF102X500R5L3PH	HP 10-32
1000	1.750	3.125	EAF102X500U3C3PG	LP 5mm
1000	2.000	4.125	EAF102X500V4C3PH	HP 10-32
1000	2.000	4.125	EAF102X500V4C7PH	HP 10-32

Capacitance (µF)	Diameter	Length	Part Description	Terminal
1100	1.750	4.125	EA112M500U4C3PH	HP 10-32
1100	1.750	4.125	EA112X500U4C3PH	HP 10-32
1100	2.000	3.625	EA112X500V3L3PL	LP 10-32
1100	2.000	4.125	EA112X500V4C3PL	LP 10-32
1100	2.000	5.625	EA112X500V5L3PH	HP 10-32
1200	40mm	90mm	EA122X500J3J3PR	Radial Snap
1200	1.570	4.125	EA122X500J4C3PR	Radial Snap
1200	1.375	5.625	EA122X500R5L3PH	HP 10-32
1200	1.750	3.625	EA122X500U3L3PL	LP 10-32
1200	1.750	4.625	EA122X500U4L3PT	Solder Eyelet
1200	1.750	5.625	EA122X500U5L3PH	HP 10-32
1200	2.000	3.125	EA122X500V3C3PF	HP 5mm
1200	2.000	3.563	EA122X500V3K3PL	LP 10-32
1200	2.000	3.625	EA122X500V3L3PL	LP 10-32
1300	2.000	2.625	EA132X500V2L3PL	LP 10-32
1400	2.000	4.625	EA142T500V4L3PL	LP 10-32
1400	2.000	2.625	EA142X500V2L3PU	Solder Lug
1400	51mm	71mm	EA142X500V2N3PT	Solder Eyelet
1600	2.000	3.380	EA162R500V3G3PT	Solder Eyelet
1600	1.375	5.750	EA162X500R5X3PL	LP 10-32
1600	1.375	6.000	EA162X500R6O3PL	LP 10-32
1600	1.750	5.625	EA162X500U5L3PH	HP 10-32
1600	2.000	2.800	EA162X500V2X3PK	Solderable Blade
1600	2.000	3.563	EA162X500V3K3PL	LP 10-32
1600	2.000	3.625	EA162X500V3L3PG	LP 5mm
1600	2.000	3.750	EA162X500V3X3PL	LP 10-32
1600	2.000	3.750	EA162X500V3X3PL	LP 10-32
1600	2.000	4.125	EA162X500V4C3PG	LP 5mm
1600	2.000	4.125	EA162X500V4C3PH	HP 10-32
1600	2.000	4.125	EA162X500V4C3PL	LP 10-32
1600	2.000	4.625	EA162X500V4L3PH	HP 10-32
1640	2.000	4.625	EA162X500V4L3PH	HP 10-32
1640	2.000	4.625	EA162X500V4L3PH	HP 10-32
1750	40mm	90mm	EA1751X500J3J3PR	Radial Snap
1800	2.000	3.563	EA182X500V3K3PF	HP 5mm
1800	2.000	3.563	EA182X500V3K3PG	LP 5mm
1800	51mm	93mm	EA182X500V3K3PG	LP 5mm

Capacitance (µF)	Diameter	Length	Part Description	Terminal
1800	2.000	3.563	EAF182X500V3K3PL	LP 10-32
1800	2.000	3.625	EAF182X500V3L3PL	LP 10-32
1800	2.000	4.125	EAF182X500V4C3PG	LP 5mm
1800	2.000	4.125	EAF182X500V4C3PH	HP 10-32
1800	2.000	4.125	EAF182X500V4C3PL	LP 10-32
2000	2.000	3.125	EAF202X500V3C3PL	LP 10-32
2000	2.000	3.563	EAF202X500V3K3PL	LP 10-32
2000	2.000	3.625	EAF202X500V3L3PL	LP 10-32
2000	2.000	3.688	EAF202X500V3M3PL	LP 10-32
2000	2.000	3.688	EAF202X500V3M3PL	LP 10-32
2000	2.000	3.750	EAF202X500V3N3PK	Solderable Blade
2000	2.000	3.813	EAF202X500V3R3PL	LP 10-32
2000	2.000	3.92	EAF202X500V3X3PL	LP 10-32
2000	2.000	4.125	EAF202X500V4C3PL	LP 10-32
2000	2.000	4.625	EAF202X500V4L3PG	LP 5mm
2000	2.500	3.625	EAF202X500W3L3PL	LP 10-32
2100	2.000	4.125	EAF212X500V4C3PH	HP 10-32
2400	2.000	3.688	EAF242X500V3M3PL	LP 10-32
2400	2.000	4.125	EAF242X500V4C3PL	LP 10-32
2400	2.000	4.625	EAF242X500V4L3PH	HP 10-32
2400	2.000	5.625	EAF242X500V5L3PF	HP 5mm
2400	2.000	5.625	EAF242X500V5L3PH	HP 10-32
2400	3.000	3.625	EAF242X500X3L3PL	LP 10-32
2400	2.000	4.125	EAF242X500V4C3PH	HP 10-32
3000	2.000	5.875	EAF302X500V5R3PH	HP 10-32
3300	3.000	4.625	EAF332X500X4L3PF	HP 5mm
3300	3.000	4.625	EAF332X500X4L3PH	HP 10-32
4000	2.500	5.625	EAF402X500W5L3PH	HP 10-32
4000	3.000	4.625	EAF402Z500X4L3PH	HP 10-32
4600	3.000	8.625	EAF462X500X8L3PD	LP 104-28